

KEY FEATURES

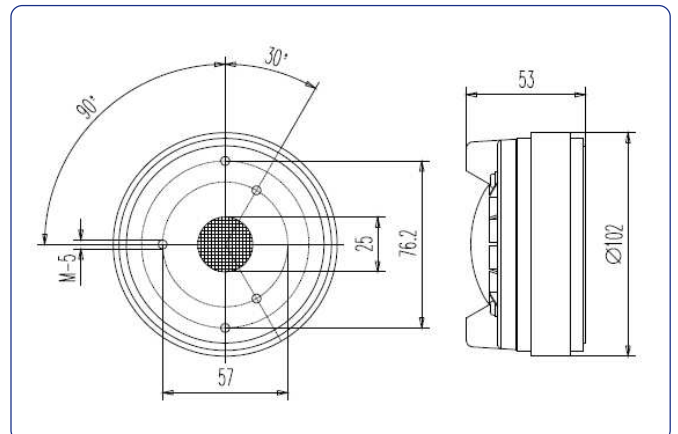
- 1 in. (25 mm) compression driver
- Power handling: 50 W_{AES} above 1,5 kHz
- High sensitivity: 105 dB (1W / 1m)
- Extended frequency range: 0,8 - 18 kHz
- Low harmonic distortion
- 1,75" edgewound aluminum voice coil
- Lightweight polyester diaphragm
- Ferrite magnet



TECHNICAL SPECIFICATIONS

Throat diameter	25 mm	1 in
Rated impedance		8 Ω
Minimum impedance	5,2 Ω @ 4 kHz	
D.C. resistance		5,6 Ω
Power capacity*	50 W _{AES} above 1,5 kHz	
Program power	100 W above 1,5 kHz	
Sensitivity**	105 dB 1W/1m @ Z _N coupled to TD-245	
Frequency range	0,8 - 18 kHz	
Recommended crossover	1,5 kHz or higher (12 dB/oct min.)	
Voice coil diameter	44,4 mm	1,75 in
Flux density		1,65 T
Bl factor		8,5 N/A

DIMENSION DRAWINGS



MOUNTING INFORMATION

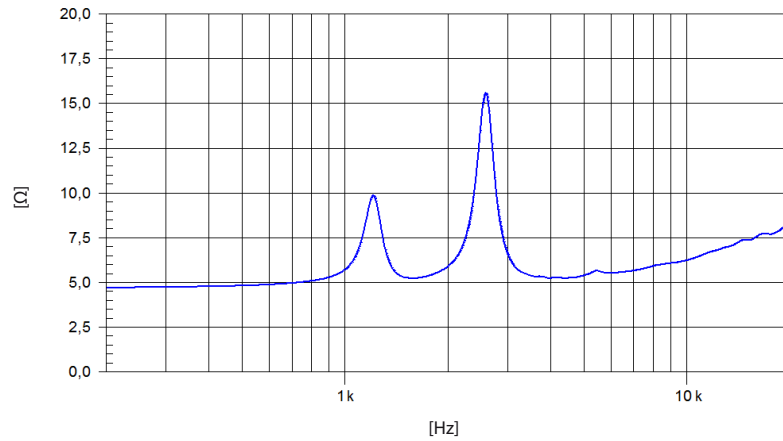
Overall diameter	102 mm	4,02 in
Depth	53 mm	2,08 in
Mounting	Three M5 threaded holes, 120° apart on 57 mm. (2,24 in) diameter circle Two M5 threaded holes, 180° apart on 76,2 mm. (3 in) diameter circle	
Net weight	1,3 kg	2,86 lb
Shipping weight	1,4 kg	3,10 lb

Notes:

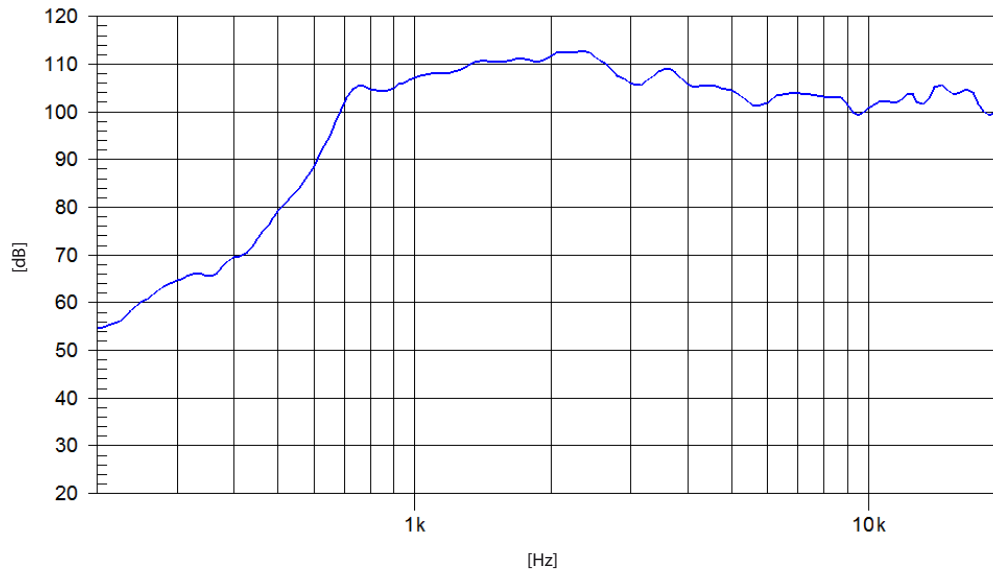
* The power capacity is determined according to AES2-1984 (r2003) standard. Program power is defined as the transducer's ability to handle normal music program material.

** Sensitivity was measured at 1m distance, on axis, with 1W input, averaged in the range 1 - 7 kHz.

FREE AIR IMPEDANCE CURVE



FREQUENCY RESPONSE AND DISTORTION



Note: On axis frequency response measured coupled to TD-245 horn
in anechoic chamber, 1W @ 1m